

BACKUP PLL OSCILLATOR

Ing. Jiří ŠPAČEK, Doctoral Degree Programme (2)
Dept. of Radio Electronics, FEEC, BUT
E-mail: xspace07@stud.feec.vutbr.cz

Supervised by: Dr. Miroslav Kasal

ABSTRACT

This paper is dedicated to the design of 5 MHz PLL oscillator that will serve as secondary frequency standard onboard of an experimental communication satellite. An attention was given to low phase noise of generated signal, robust design and low power consumption.

1 INTRODUCTION

The experimental satellite AMSAT Phase 3E will carry communication equipment, which should be synchronized by onboard ultra-stable 5 MHz oscillator (USO). However, essential requirement for USO is reliability. For this reason the USO needs a back up. Well performed free running VCXO that can be locked to USO by phase lock loop (if USO signal exists) has been selected as optimal arrangement for this purpose.

2 DESIGN

The block diagram of the final arrangement is shown in Figure 1. Input signal from USO is formed by Schmitt trigger inverter. Next circuit detects the USO signal. If this signal is detected then the PLL is active and VCXO is synchronized by that signal. When the USO is out of order, then USO signal is not detected and a constant voltage for VCXO's tuning input is supplied by a mode detector. In this case the VCXO runs free at frequency of 5 MHz quartz.

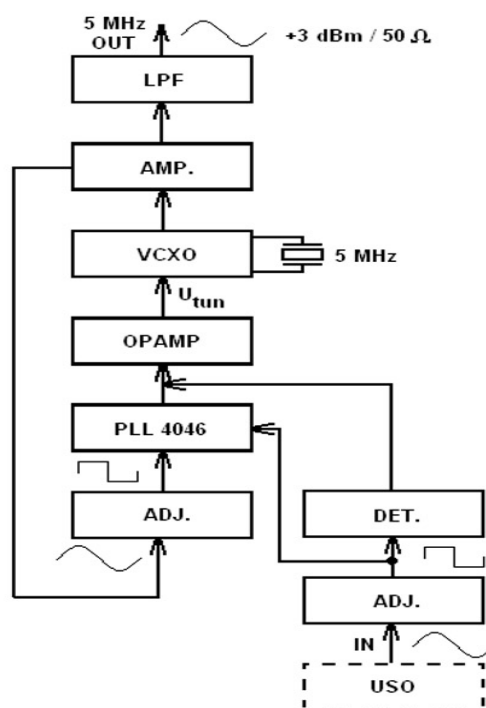


Fig. 1: Block diagram of the oscillator

As VCXO a Colpitts quartz oscillator is used. To obtain necessary realignment of output frequency serial inductors are placed between voltage variable capacitor and tuned quartz. By this way has been achieved 334 Hz/V conversion gain.

The satellite bus voltage is 14 V. All parts of PLL oscillator circuit are designed for voltage 5 V, except the buffer amplifier OPAMP that needs 8 V. The stabilizer for 8 V is linear. As 5 V power supply is applied DC-DC converter with IC LM2574. The efficiency of switched stabilizer is better than 40 % instead circa 20 % for the linear stabilizer under the same condition.

3 CONSTRUCTION

The layout is designed as the both-side PCB on a substrate FR4. The circuit of frequency standard is soldered in a shielding box with dimensions 60 x 48 x 23 mm. Power supply is injected by a feed-through soldered capacitor. Connection to other outside circuits of this box - connectors IN and OUT - is done by the SMA connectors. Photos of 5 MHz backup oscillator are given in Figure 2.

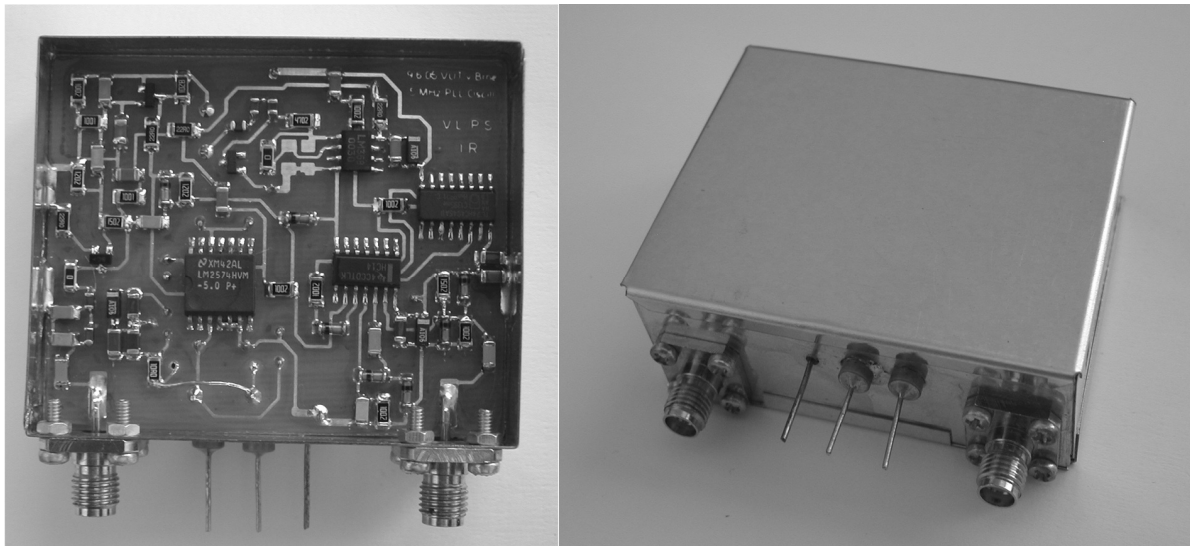


Fig. 2: *Realized 5 MHz backup oscillator*

4 MEASUREMENTS

Parameters of described backup oscillator have been measured and achieved values are presented in the Table I. The measurement has been performed for both possible cases - for state with and without the USO signal.

Value $f_{o \text{ open}}$ in the Table I. is frequency for free running mode without sheet cover and value $f_{o \text{ close}}$ is measured with sheet cover. The I_{cc} value is valid for supply voltage 14 V.

5 MHz PLL oscillator parameters				
Without USO		I_{cc}	18.52	mA
		$f_{o \text{ open}}$	5.000048	MHz
		$f_{o \text{ close}}$	5.000070	MHz
		P_{out}	3.44	dBm
		PN	-104.5	dBc@100Hz
With USO	Lock	I_{cc}	19.90	mA
		$f_{ref \text{ min}}$	4.999380	MHz
		$f_{ref \text{ max}}$	5.001050	MHz
		PN	-103.1	dBc@100Hz
	Capture	$f_{ref \text{ min}}$	4.999410	MHz
		$f_{ref \text{ max}}$	5.001000	MHz

Tab. 1: 5 MHz PLL oscillator parameters

The phase noise characteristic of secondary frequency standard output signal for lock state is given in Figure 3. The phase noise of reference oscillator signal used in this measurement is better than $-106.2\text{dBc}@100\text{Hz}$ and reference signal level $P_{ref} = -2.17\text{ dBm}$.

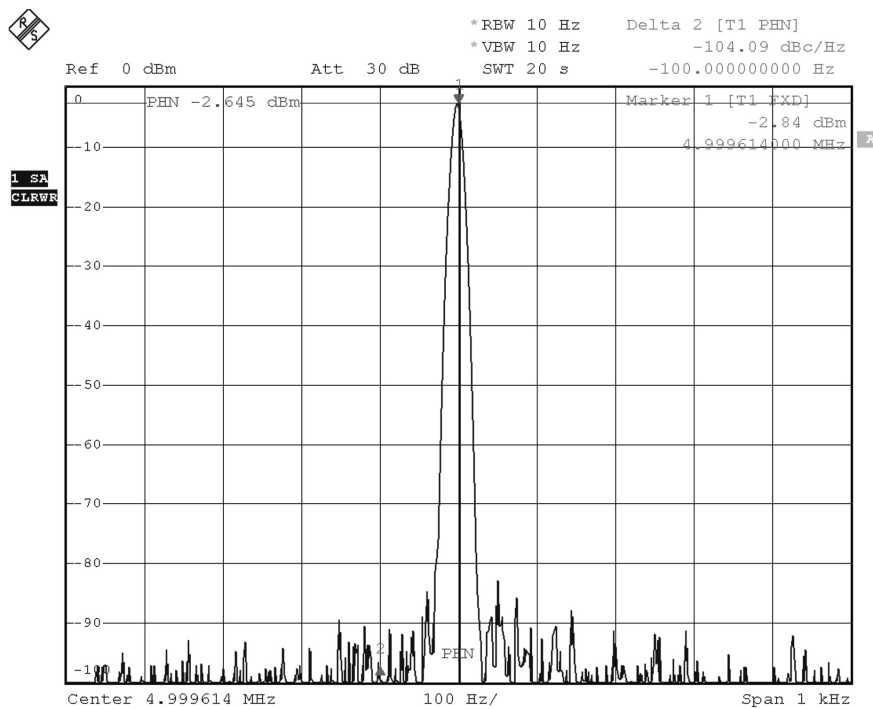


Fig. 3: Phase noise of backup oscillator output signal in phase lock state

The spectrum of oscillator output signal for PLL lock state up to 3th harmonic is given in Figure 4. Apparently, the second harmonic suppression is better than 25.8 dB.

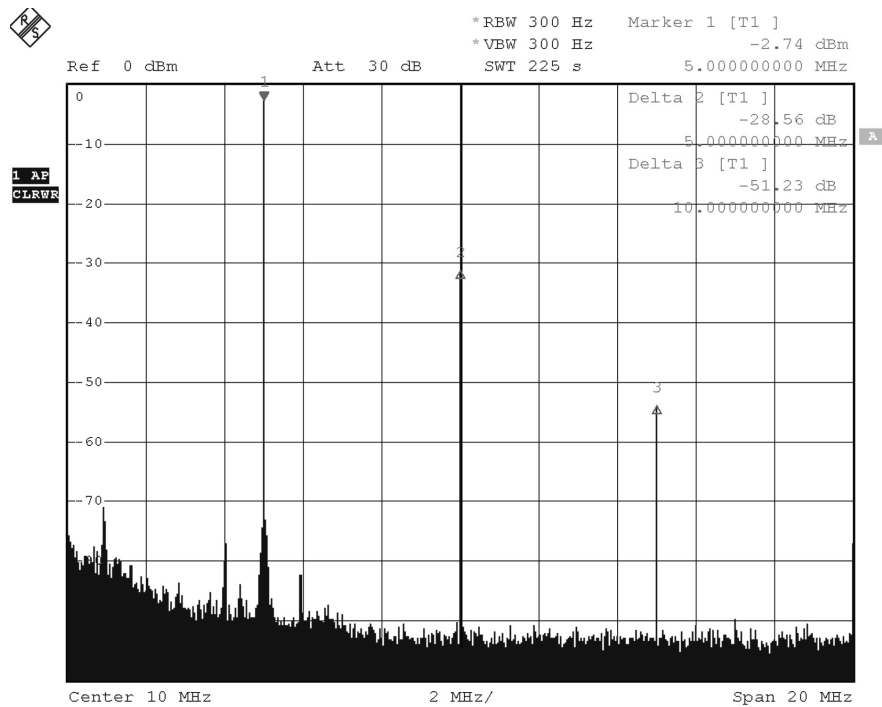


Fig. 4: Backup oscillator output signal spectrum in phase lock state

5 CONCLUSION

Described unit of the secondary frequency standard will be applied in several sections of the P3E satellite communication equipment. Achieved spectral purity promises appropriate high level applications like coherent ranging and slow rate data communication at reduced bandwidth. At present, the described secondary frequency standard is under pre-launch tests in laboratories in Finland and Belgium.

ACKNOWLEDGMENT

This work has been supported by grants of the Grant Agency of the Czech Republic No. 102/06/1672 and 102/04/0557 as well as by MSM 0021630513.

REFERENCES

- [1] Rohde, U. L.: Microwave and wireless synthesizers – Theory and design, John Willey & Sons, Inc., 1997
- [2] Kasal, M.: Frekvenční syntéza v komunikačních systémech – Experimentální družice, VUTIUM, Edice habilitační a inaugurační spisy, sv. 169, 2005, ISBN 80-214-2982-8
- [3] Kroupa, V.: Phase Lock Loops and Frequency Synthesis, John Willey & Sons, Chichester, 2003